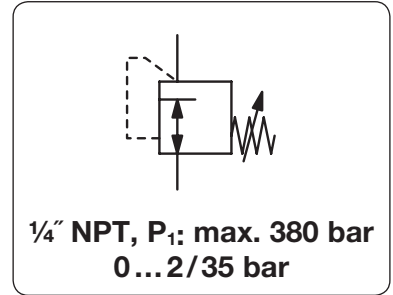


Brass High Pressure Regulator up to 380 bar

RHB

Description	Diaphragm-operated high pressure regulator made of brass.
Media	compressed air or non-corrosive gases
Supply pressure	max. 380 bar
Adjustment	by T-handle with locknut
Relieving function	non-relieving
Gauge port	1/4" NPT on both sides of the body, screw plugs supplied
Mounting position	any
Temperature range	0 °C to 106 °C / 32 °F to 223 °F, for appropriately conditioned compressed air down to -40 °C / -40 °F
Material	Body: brass O-rings: NBR/Buna-N Diaphragm: stainless steel 302 Valve seat: nylon, optionally PTFE



Dimensions			K _v value (m ³ /h)	Flow rate		Connection thread NPT	Pressure range bar	Order number
A mm	B mm	C mm		m ³ /h*1	l/min*1			

High pressure regulator 380 bar							brass, with T-handle, non-relieving, nylon seat, NBR/Buna-N	RHB
85	156	60	0.13	240	4000	1/4" NPT	0.3 ... 2	RHB-02A
							0.3 ... 4	RHB-02B
							0.3 ... 8	RHB-02C
							0.3 ... 10	RHB-02D
							0.3 ... 15	RHB-02E
85	177	60					0.3 ... 35	RHB-02F



RHB-02D

Special options, add the appropriate letter

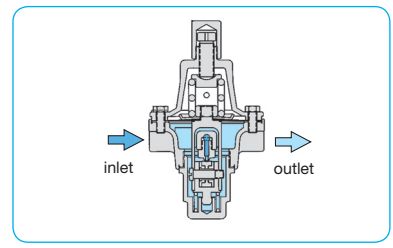
nickel-plated	outer surface	RHB-02 . X25
tamper-proof cap	made of brass, total height 150 mm or 172 mm	RHB-02 . T
PTFE valve seat*2	nickel-plated surface	RHB-02 . X52



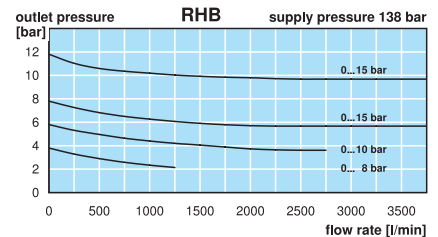
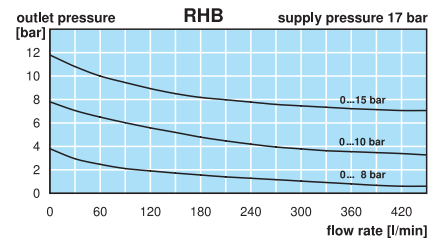
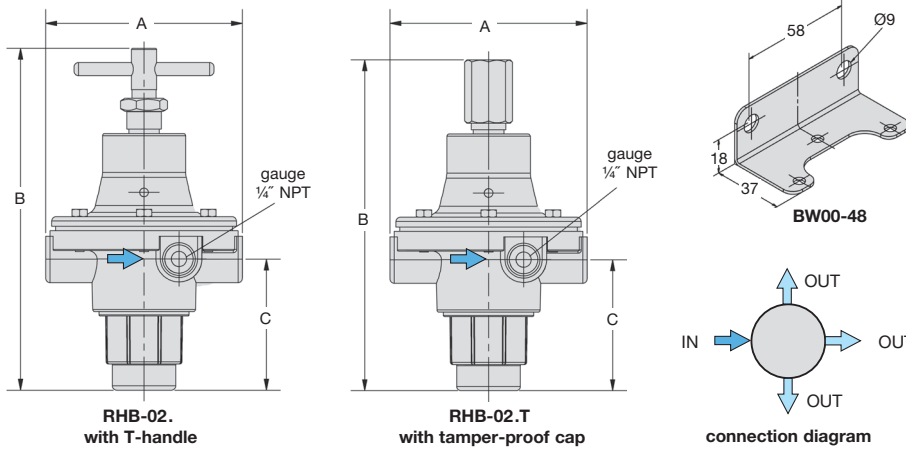
RHB-02DT

Accessories, enclosed

mounting bracket	made of steel	BW00-48
-------------------------	---------------	---------



cross section



*1 at 138 bar supply pressure and 10 bar outlet pressure *2 1.5 ... 35 bar pressure range for RHB-02F